

KWT321-15-316

15 Inch Top Mount Workstation Single Bowl
Stainless Steel Outdoor Rated Kitchen Sink

Kräus[®]

SPECIFICATION SHEET

Sink Dimensions

Overall Dimensions: 15" x 15"

Bowl Dimensions: 12" x 11"

Sink Depth: 9"

Features

- 16 Gauge Marine Grade T-316 Stainless Steel Construction
- Single Bowl Top Mount Sink
- Required Minimum Cabinet Size: 18" Left to Right, 18" Front to Back
- Rear Center-Set Drain
- 3 1/2" Drain Opening
- NoiseDefend Undercoating and Sound Dampening Pads

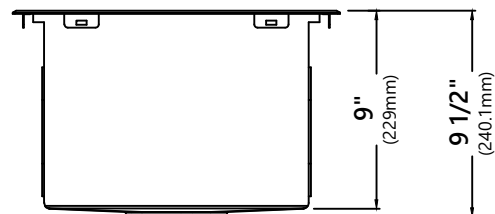
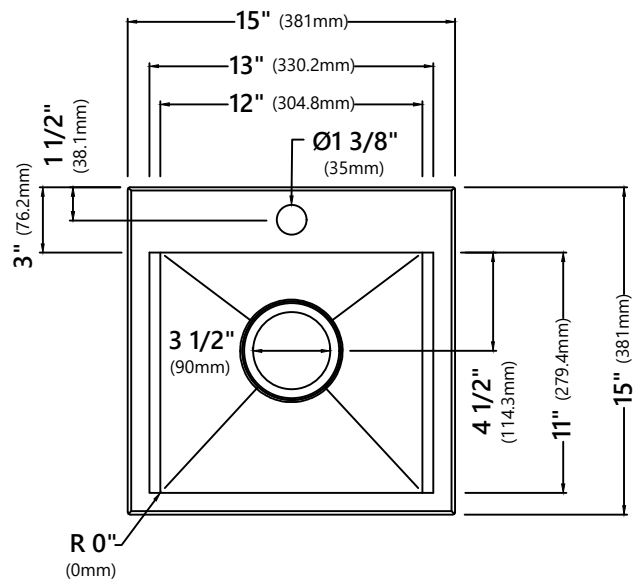
Accessories Included

- Strainer ST-1
- Cover Cap STC-2
- Cutting Board KCB-WS14
- Top Mount Cut-Out Template
- Top Mount Hardware

CODES/STANDARDS:

Product Certification

cUPC (ASME A112.19.3/CSA B45.4)



NOTE: Maximum countertop thickness for Top Mount installation is 1 1/2".

NOTE: It is not recommended to install this sink with a negative reveal. Doing so will prohibit the use of any workstation accessories as they will not fit.

Warranty

Kraus One Year Limited Warranty

see website for details www.kraususa.com